

Sew Me Something

Pattern Cutting Series - One Piece Dress Block

The One Piece Dress Block Instructions

The measurements you will need:

Full hip

Side waist to hip

Side waist to knee

Figure 1.

On a large piece of paper mark point 1 about half way up.

Square across to point 2. This is the waist line

1 - 2 = Full hipdivided by 2 =Plus 5cm ease =

Square down from point 1 this is the Centre back line.

Square down from point 2 this is the Centre Front line.

1 - 3 = Side waist to knee

Square across to point 4 on the centre front line. This is the knee line

1 - 5 = Side waist to hip.

Square across to point 6 on the centre front line. This is the hip line

Point 7 is midway between point 3 and point 4. Square up to cross the hip line at point 8.

Figure 2.

Extend the centre front and back lines up by about 80cm.

Place the back bodice block so that the centre back waist sits at point 1 and this in line with the centre back.

Place the basic bodice block front so that the centre front waist point sits at point 2 in line with the centre front. (If the sides of the bodice blocks dip up or down that is fine).

Drop a dotted line from the front and back waist dart points to the waistline, make sure the lines are parallel to the centre front/ back.

Extend the dart lines past the waistline by the same length as the darts on the skirt block.

e.g - Back waist to point 9 = 13cm

Front waist to point 10 - 11cm

Sew Me Something

Figure 3

Draw around the outline of the front and back dress block.

To help with the curve over the hip you can draw in some guide lines from point 8 up to points 11 and 12 on the side bodice back and front.

Draw in the dart lines from points 9 and 10 to meet the legs of the waist darts.

Trace off the front and back dress blocks separately.

One Piece Dress Block

Hip ease = 10cm in total

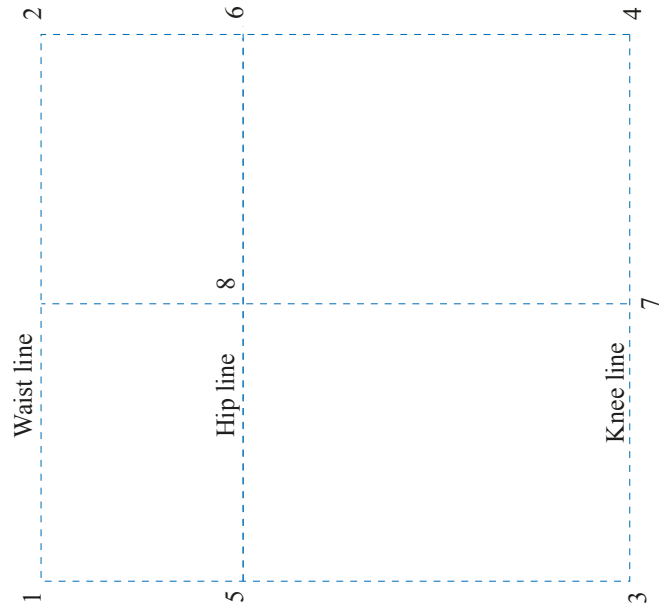


Figure 1

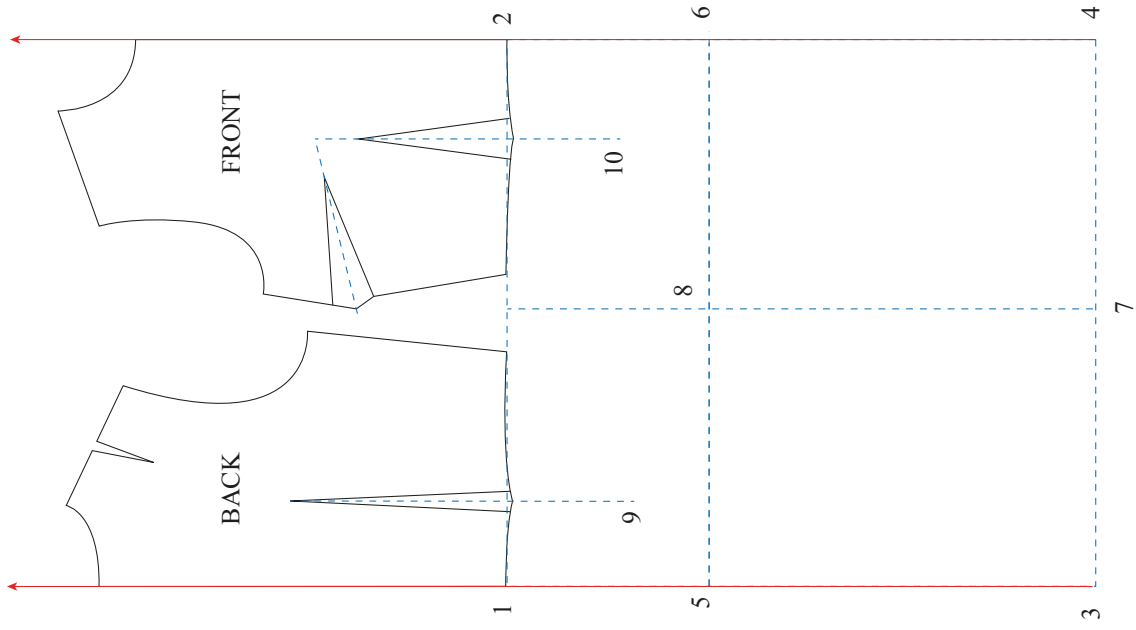


Figure 2

Sew Me Something

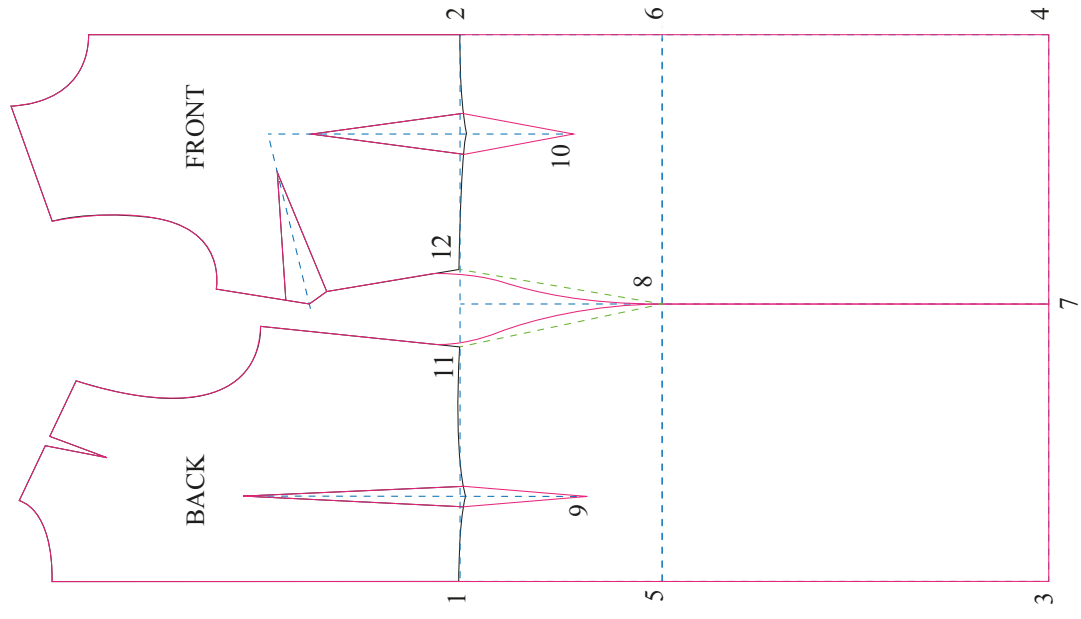


Figure 3